

**M-tor Q Controls India**

ISO 9001 : 2015 Certified Company

# Valve

Automation and Process Industries



### PRODUCT FEATURES:

- ❖ Blow-out Proof Stem
- ❖ Full Port Constructions Minimizes Pressure Drop Across Pipeline
- ❖ Anti-static Device
- ❖ ISO 5211 Mounting Dimensions for Easy Automations
- ❖ Double Body Seal Feature to Suitable for High Pressure.
- ❖ Fire Safe in Compliance with API 607 / API 6FA / BS 6755- PART II
- ❖ Air Cushioned Handle Sleeve for Comfortable Manual Operation.

### GENERAL SPECIFICATION :

- ❖ Size Available: 1/2" to 3" (15 MM TO 80 MM)
- ❖ Temperature Rating: -60 F to 450 F / -20 F to 200 F
- ❖ Ends: Screwed/Socket/Butt Weld
- ❖ Pressure Rating: #150/ #300/ # 400 & #600,
- ❖ Port: Full / Reduce

### AVAILABLE MATERIAL OF CONSTRUCTION -

- ❖ Body and Side piece: CF8M,CF8,CF3M,WCB,A105, CF3, F316. F304
- ❖ Seats & Seals: PTFE, RPTFE, CFT, Grafoil

### ❖ CODES & STANDARDS -

- ❖ Design & Manufacturing: ISO 17292 / Bs5351 /
- ❖ API 6D/ API 608 / ASME B16.34
- ❖ Face to Face Dimensions: Manufacturing STD



## SERIES: M-20 TWO PIECE DESIGN #150 FLOATING BALL VALVE

### PRODUCT FEATURES:

- ❖ Split Body Design Facilitates Inspection and Repair
- ❖ Blow -out Proof Stem
- ❖ Anti-static Device
- ❖ ISO 5211 Mounting Dimensions for Easy Automations
- ❖ Fire Safe in Compliance with API 607/ API 6FA / BS 6755- PART II
- ❖ Air Cushioned Handle Sleeve for Comfortable Manual Operation
- ❖ Double Body Seal Feature to Suitable for High Pressure

### GENERAL SPECIFICATION :

- ❖ Size Available: 1/2" to 10" (15 MM TO 250 MM)
- ❖ Temperature Rating: -60 F to 450 F / -20 F to 200 F
- ❖ Pressure Rating: # 150 Port: Full/Reduce

### AVAILABLE MATERIAL OF CONSTRUCTION -

- ❖ Body and Side piece: CF8M, CF8, CF3M, WCB, LSB, CF3
- ❖ Seats & Seals: PTFE, RPTFE, CFT, Grafoil

### CODES & STANDARDS -

- ❖ Design & Manufacturing: ISO 17292 / Bs5351/ API 6D/ API 608 / ASME B16.34
- ❖ Face to Face Dimensions: ANIS B16.10 / API 6D
- ❖ Inspection & Testing: API 598 / API 6D /ISO EN 12266 - PART I / ISO 5208



**PRODUCT FEATURES:**

- ❖ Split Body Design Facilitates Inspection and Repair
- ❖ Blow -out Proof Stem
- ❖ Anti-static Device
- ❖ ISO 5211 Mounting Dimensions for Easy Automations
- ❖ Fire Safe in Compliance with API 607/ API 6FA / BS 6755- PART II
- ❖ Air Cushioned Handle Sleeve for Comfortable Manual Operation
- ❖ Double Body Seal Feature to Suitable for High Pressure.



**GENERAL SPECIFICATION :**

- ❖ Size Available: 1/2" to 10" (15 MM TO 250 MM)
- ❖ Temperature Rating: -60 F to 450 F / -20 F to 200 F
- ❖ Pressure Rating: # 300 Port: Full/Reduce

**AVAILABLE MATERIAL OF CONSTRUCTION -**

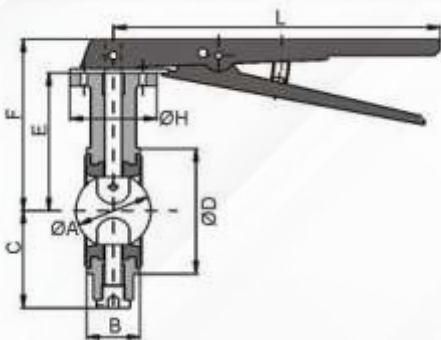
- ❖ Body and Side piece: CF8M, CF8, CF3M, WCB, LSB, Cf3
- ❖ Seats & Seals: PTFE, RPTFE, CFT, Grafoil

**CODES & STANDARDS -**

- ❖ Design & Manufacturing: ISO 17292 / Bs5351/
- ❖ API 6D/ API 608 / ASME B16.34
- ❖ Face to Face Dimensions: ANIS B16.10 / API 6D
- ❖ Inspection & Testing: API 598 / API 6D /ISO EN
- ❖ 12266 - PART I / ISO 5208

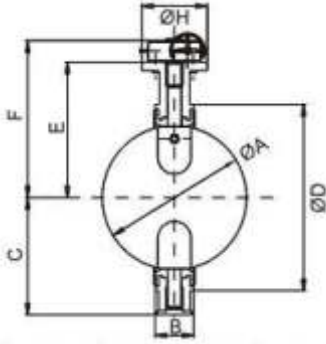
**SERIES: 40 CENTRIC DESIGN BUTTERFLY VALVE**

**BUTTERFLY VALVE - HAND LEVER OPERATOR**



SIZE	ØA	B	C	ØD	E	F	L	ØH
DN 40	82	33	58	44	94	123	245	63
DN 50	95	43	64.5	53	109	132		65
DN 65	105	46	69.5	65	115	143		95
DN 80	127	46	80	77	137	165		
DN 100	160	52	100	103	150	178	330	95
DN 125	190	56	118	127	165	198		
DN 150	215	56	127	144	178	211		
DN 200	269	59	155	196	216	249		

## BUTTERFLY VALVE - GEAR OPERATOR



SIZE	ØA	B	C	ØD	E	F	ØH
DN 250	324	68	189	247	248	310	140
DN 300	374	78	215	297	280	360	140
DN 350	440	92	267	341	320	397	153
DN 400	491	106	291	389	344	429	155
DN 450	540	115	344	439	400	485	175
DN 500	595	126	368	489	430	520	175
DN 600	695	154	410	584.5	490	638	225
DN 700	774	167	471	688	566	714	305

## TECHNICAL ADVANTAGES OF BUTTERFLY VALVES

- ❖ Excellent control characteristics.
- ❖ Tight shut-off even after innumerable operations. 90° movement for full open/close position. Provision for intermediator locking after every 10o for regulation/ controlling purpose.
- ❖ Installation cost considerably reduced because of very low weight and compact design.
- ❖ No routine maintenance required.
- ❖ Longer life and reliable service with minimum component wear.
- ❖ Replacable seats. No supplementary gasket required with the adjacent pipework.
- ❖ Body & Stem totally protected from service fluid.
- ❖ Centrally mounted disc, shafts and bearings, therefore these valves give higher CV values.

## GENERAL SPECIFICATION :

Available Size :	2" (50mm) to 24" (600mm)
Temperature :	-30°c to + 220° (Depend on MOC)
Allowable Perssure (PS) :	
10 Bar	Dn300 (12") to Dn600 (24") at ambient Temp.
16 Bar	Dn40 (1-1/2") to Dn250 (10") at ambient Temp
System Certification :	ISO 9001:2015
Centric water and Lug type seated butterfly valve :	DN40(1.5") to DN600(24")
Design & Manufacturing Standard :	API609 / BS EN 593 / ASME B-16.34 / MSS Sp67/ EN12516-1 & 2.
Face to Face Standard :	API 609-Cat. A/DIN 3202-K1/ BSEN 558-20/ ISO 5752-20 / MSS SP-67-W1
Testing Standard :	EN12266-Part 1 / API 598
Top Flange Standard (Actuator Mounting) :	EN ISO 5211.
Flange Drilling Standard :	ASME 16.5 / EN 1092 / BS:10/ IS 1538 / AWWA C207/ IS 6392 / JIS
Protection Standard :	EN 13463 - 1
Seat Leakage :	Zero Leak, Tight Shut off class VI
Flow Direction :	Bi-Direction
Paint & Finish :	STD Blue Paint

### Corporate office & Factory Address

#### M-torQ Controls India

Plot No. B-3, E-10, 19 General Block, MIDC Bhosari, PUNE-411026 (MH) India

+91 9822524104 | 7774022207/06

sales@mtorqindia.com | sales1@mtorqindia.com | mtorqindia@gmail.com

www.mtorqindia.com

GSTIN-27ABNFM1750F1Z8